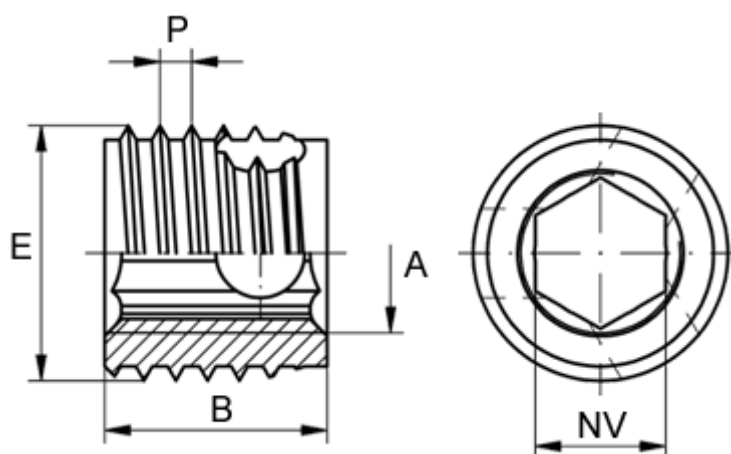


Article number: 12308200050110

Description: KLEE-coil 308 200 050.110
M5 Hardened/zinc-plated steel with hexagon

Measures



Female thread A	= M5
Length B	= 10
Male thread E	= 8
Min hole depth blind hole	= 13
Min material thickness	= 10
sw	= -
Thread pitch P	= 1
Type	= 308 200 050 ...